

## High-Bay

HB 4.1 - LED for replacement of 750W and 1000W HID Fixtures

### Product Description:

The HB4.1 Classic Series is a premium high bay fixture specially designed for high quality and long term reliability. Voltage options available are 277V-480V and delivering 136 lm/watts. Applications include Convention Centers, Heavy Industry, Sports Facilities, Airport Hangers, Aerospace.

### Performance Summary:

**Delivered Light Output:** 43,000 lumens  
**Input Power:** 315 Watts  
**Power Source:** Electronic driver  
**Lumens per watt:** 136 Lm/W  
**Input Voltage:** 277V-480V  
**Mounting:** Hook, 18/3 6' SJO cord with connector  
**Dimming:** 0-10v Standard  
**LED Life Span L70:** 100,000 Hours  
**Certifications:** UL, DLC Premium, CE  
**Limited Warranty:** 10 Years  
**Weight:** 23lbs  
**Temperature Range:** - 20°C to + 65°C



### Ordering Information

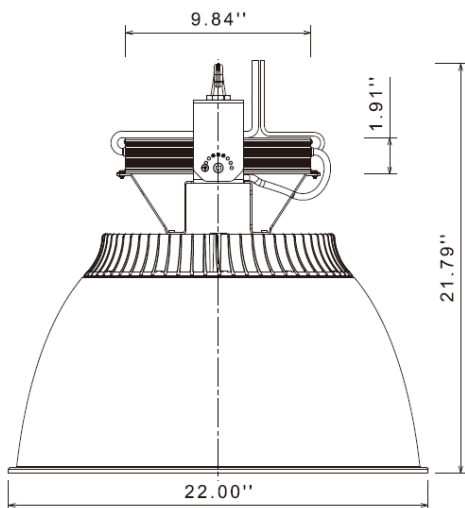
Example: HB 4.1-65-43D-750-48-H-WL-D

Product	Type of Construction	Lumen Package	CRI	Kelvin	Input Voltage	Mounting	Optic	Controls
HB 4.1	65= IP65	43D=43,000	7=70	50=5000K	48=277V-480V	H= Hook, Cord, connector P=Pendant	WL= White painted Aluminum	D=0-10V (Standard)

#### Options( order separately):

**ECM-1**- Electronic Control Module  
**BL-HBL-50**- Bi-level low voltage motion sensor, 30'-50' mounting height, with high bay lens  
**Frosted LED lens available on request**

### Product Dimensions

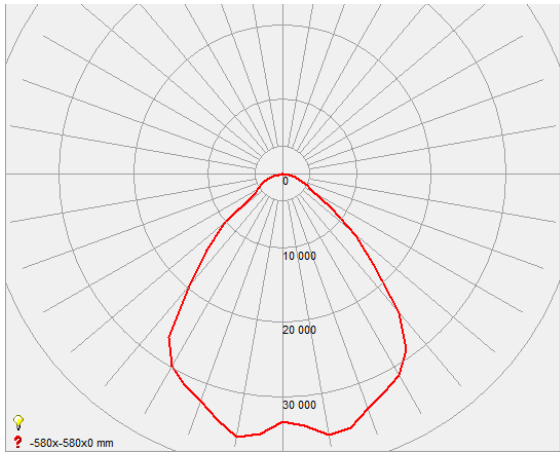


**An Industry First!!!**  
**\$500/ unit Labor Warranty rebate for 1 year\***

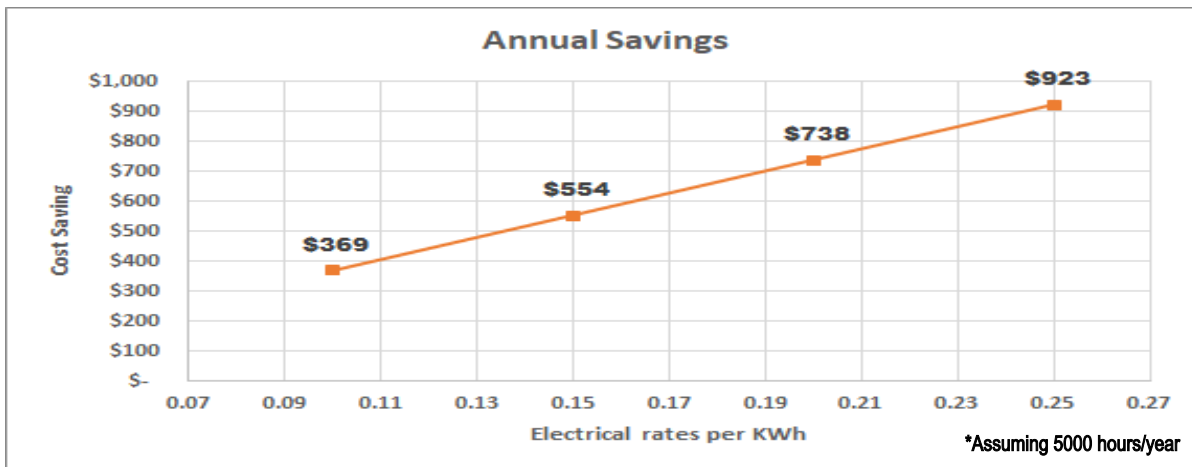
\*Register to be eligible

\*Applicable on orders placed after March 15th, 2019

## Photometry



## Annual Savings Chart Watts Saved/ fixture:1153W-315W= 838W



## Lumen Depreciation Curve

