

Part Number	
Project Notes	



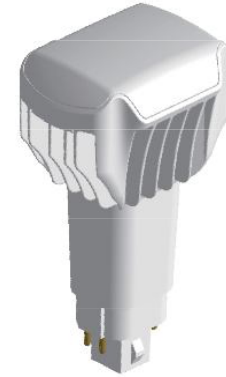
LED Replacement for 4-pin CFL

Product Description:

The Permalamp™ Series of LED plug and play replacements for CFL lamps provides 1118 lumens per lamp and is compatible with most existing electronic ballasts. Available in 3000,4000, and 5000K these LED plug and play lamps are ideal for any indoor existing 4 pin CFL application.

Performance Summary:

- Design:** Directly replaces 18W, 26W CFLs Direct replacement, uses existing CFL ballast. For use with 4 pin G24Q socket
- CCT:** 3000K, 3500K, 4000K
- CRI:** 83
- Output:** 1118Lm
- Lifespan L70:** 50000 hours
- Warranty:** 5years
- Certifications:** UL listed
- Beam Spread:** 105
- Weight:** 0.42lbs



Vertical



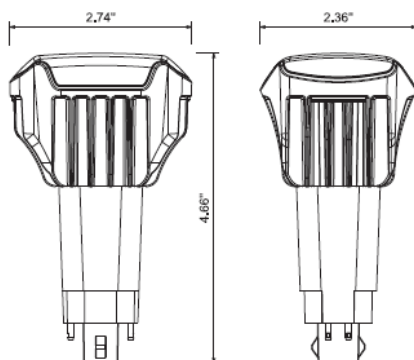
Ordering Information

Example: PL-12V-G24Q-850-G2

Product	Wattage	Type	Socket type	CRI	Kelvin	Generation
PL= Permalamp	12 W	V= Vertical	G24Q 4 pin socket	>80	30=3000K 35=3500K 40=4000K	G2= Gen 2

Type	Total Lumens	Lamp Watts	LM/WT
Vertical	1120	12	93

Product Dimensions



Vertical Type