

Part Number	
Project Notes	



U.S. Patent No. 9714743

## LED Replacement for 4-pin CFL

### Product Description:

The Permalamp™ Horizontal Series of LED plug and play replacements for CFL lamps provides 1029 lumens per lamp and is compatible with most existing electronic ballasts. Available in 3000K, 3500K & 4000K these LED plug and play lamps are ideal for any indoor existing 4 pin CFL application.

### Performance Summary:

**Design:** Directly replaces 18W, 26W CFLs Direct replacement, uses existing CFL ballast. For use with 4 pin G24Q socket

**CCT:** 3000K, 3500K, 4000K

**CRI:** 83

**Output:** 1029 Lm

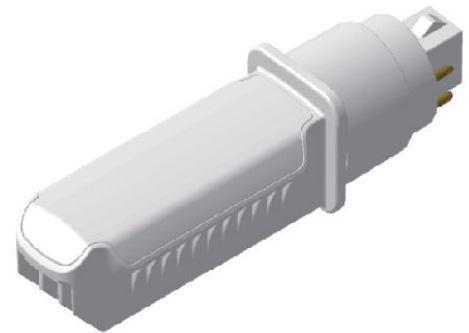
**Lifespan L70:** 50000 hours

**Warranty:** 5years

**Certifications:** UL, DLC

**Beam Spread:** 105

**Weight:** 0.27lbs



### Ordering Information

Example: PL-11H-G24Q-850-G2

Product	Wattage	Type	Socket type	CRI	Kelvin	Generation
PL= Permalamp	11W	H= Horizontal	G24Q 4 pin socket	>80	30=3000K 40= 4000K 50= 5000K	G2= Gen2

Type	Total Lumens	Lamp Watts	LM/WT
Horizontal	1029	11.2	92

### Product Dimensions

