

High-Bay

HB5 Powerful LED for replacement of 1000W and 1500W HID Fixtures

Product Description:

Foreverlamp expands its versatile design by introducing a >75,000 lumen fixture in the traditional round high bay reflector and classic housing. Multiple voltage options available including 277V, 347V and 480V while delivering over 145 lm/watt. Good for applications with 50' to 120' mounting heights.



Performance Summary:

Delivered Light Output: 78,000 lumens

Input Power: 530 Watts
Power Source: Electronic driver
Lumens per watt: 147 Lm/WW
Input Voltage: 200-277V & 277-480V
Mounting: Hook, 18/3 6' SJO cord with connector
Dimming: 0-10v Standard
Ambient Temperature: -20C to +65C
LED Life Span L70: 100,000 Hours
Certifications: UL, DLC Premium
Limited Warranty: 10 Years
Temperature Range: -20°C to +65°C

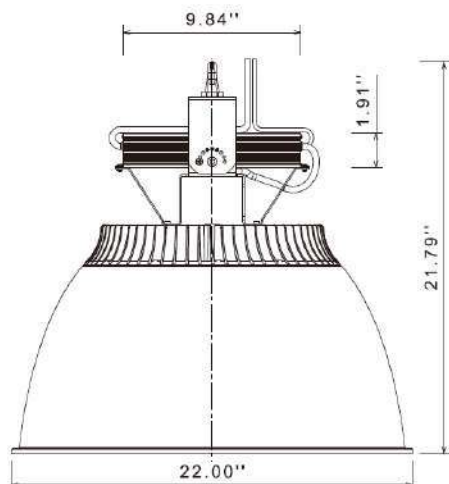


Ordering Information

Example: HB5-65C-75D-750-27-H-WL-D

Product	Type of Construction	Lumen Package	CRI	Kelvin	Input Voltage	Mounting	Optic	Controls	Accessories
HB5	65C= IP65 Classic	75D=78,000	7=70	50=5000K	27=200V-277V 48=277V-480V	H= Hook, Cord, connector P=Pendant	WL= White painted Aluminum	D=0-10V (Standard) N=Nedap IOT Node	W= Wireguard F=Flat Lens C= Conical Lens
	65= IP65	75D=76,500							

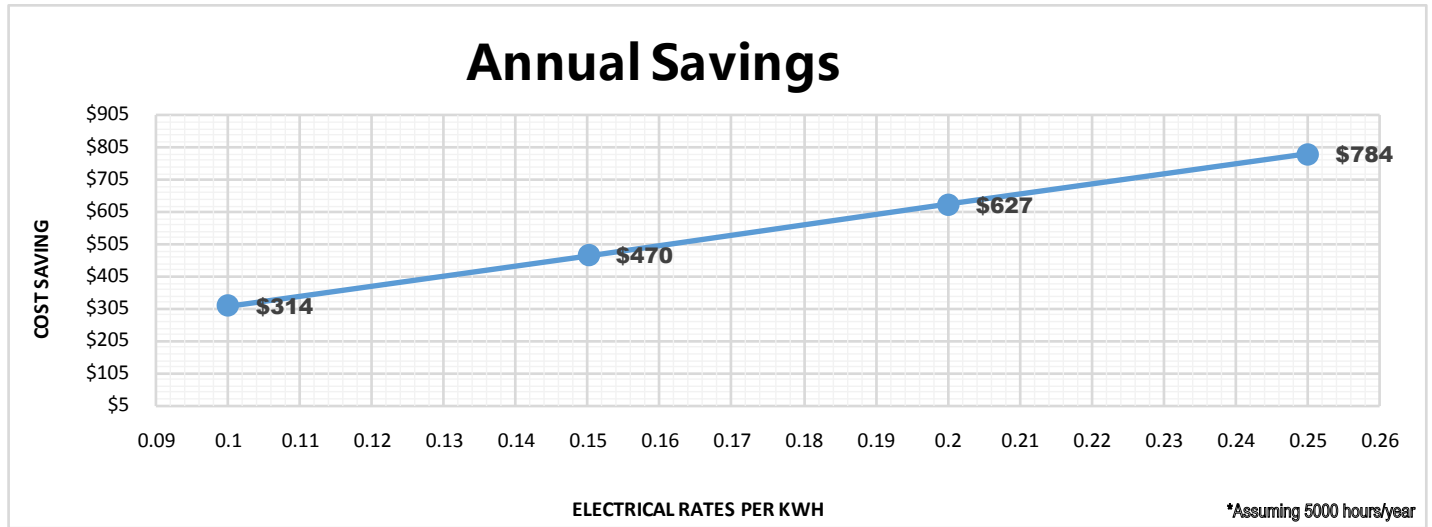
Product Dimensions



Options(order separately):

ECM-1- Electronic Control Module
BL-HBL-50- Bi-level low voltage motion sensor, 30'-50' mounting height, with high bay lens
Frosted LED lens available on request

Annual Savings Chart (per fixture)



Lumen Depreciation Curve

