

Part Number	
Project Notes	



LED Replacement for 4-pin CFL

Product Description:

The Permalamp™ Series of LED plug and play replacements for CFL lamps provides 1350 lumens per lamp and is compatible with most existing electronic ballasts. Available in 3000,4000, and 5000K and both vertical and horizontal mounting positions these LED plug and play lamps are ideal for any indoor existing 4 pin CFL application.

Performance Summary:

Design: Directly replaces 18W, 26W CFLs Direct replacement, uses existing CFL ballast. For use with 4 pin G24Q socket

Mounting: Designed for vertical and horizontal mounting

CCT: 2700,3000K, 3500K, 4000K

CRI: 83

Output: 1350Lm

Lifespan L70: 50000 hours

Warranty: 5years

Certifications: UL, CE, DLC

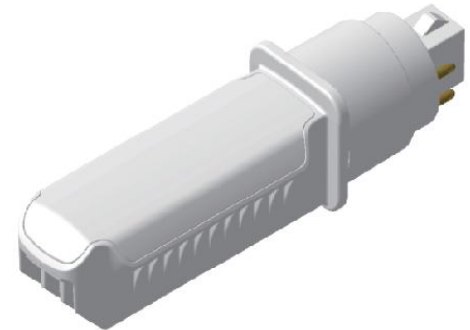
Beam Spread: 118

Weight: H: 0.27lbs, V: 0.42lbs

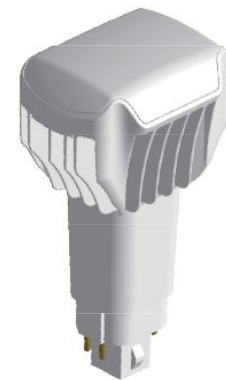
U.S. Patent No. 9714743

Ordering Information

Example: CS-12H/V-G24Q-840-G1



Horizontal



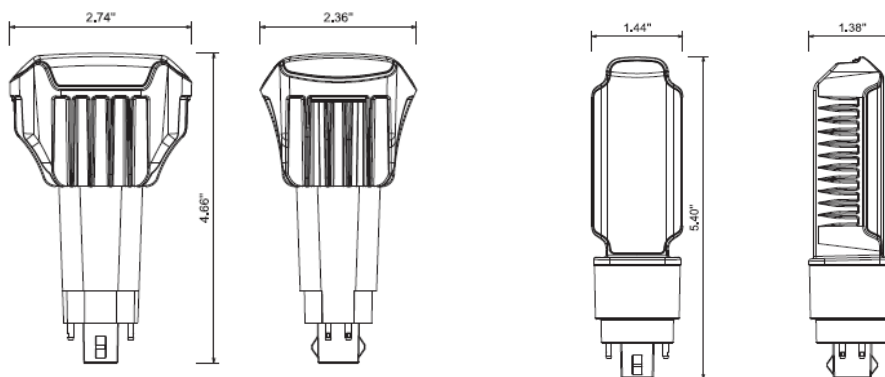
Vertical



Product	Input Voltage	Type	Socket type	CRI	Kelvin	Generation
CS=CFL retrofit lamp	20=200V-240V	H= Horizontal V= Vertical	G24Q 4 pin socket	>80	27=2700K 30=3000K 35=3500K 40=4000K	G1= Gen 1

Type	Total Lumens	Lamp Watts	LM/WT
Horizontal	1250	12	105
Vertical	1350	13	104

Product Dimensions



Vertical Type

Horizontal Type