

## High-Bay

HB2.5 with built in up-light and **programmable driver** (**COSTCO** WHOLESALE only)

### Product Description

The HB2.5 Classic Series high bay fixture combines the traditional round look of a HID high bay with a classic LED driver housing. The fixture performance exceeds 158 lm/watt. Specially designed for Costco.

### Performance Summary (Preliminary Spec.)

**Light Output (Stabilized):** 26,500 lumens (168W)

**Lumens per watt:** 158 Lm/W

**Power Source:** LED driver

**Input Voltage:** 120-277 VAC

**Surge Protection Rating:** Common Mode 6KV / Differential Mode 6KV

**Limited Warranty:** 10 Years Unconditional Warranty

**Mounting:** Hook, 18/3 5' SJO cord with connector

**Weight:** 9.6 lbs

**Listing:** cUL Listed, DLC Premium

**LED Lifespan L70:** 100,000 hours

**Temperature Range:** -20°C to +55°C



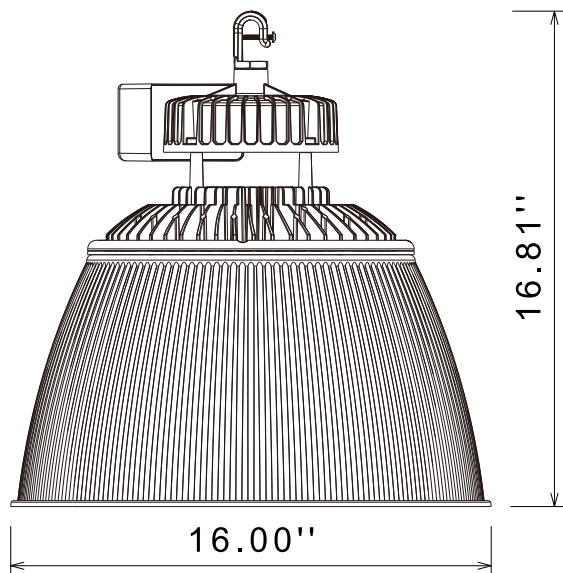
### Ordering Information

Example: **HB2.5-54S-26U-840-12**



Product	Type of Construction	Lumen Package	CRI	Kelvin	Input Voltage	Controls
<u>HB2.5</u>	54S=IP54	26U=26,500	8=83+	40=4000K	12=120V-277V	A=Nedap IOT Node B=Synapse Controller

### Product Dimensions



**The 2nd. Generation  
High-bay Fixture  
Coming Soon!**