

Part Number	
Project Notes	

RS Series™

PATENT PENDING

DIRECT REPLACEMENT LED LAMP for 1000W MH

Features

- Design** Proprietary Direct-Fit EZ Install LED technology for 1000W and 750W Metal Halide Lamps
- Mounting** Direct replacement, uses existing MH magnetic ballast.
For use with E39, EX39 and E40 lamp base
Compatible with pulse start and probe start Metal Halide ballasts.
Designed for open fixtures only
- Efficiency** Up to 118Lm/W. Saves 60% on energy costs over Metal Halide Lamps
- Color Temp.** 5000°K. 83 CRI minimum. 4000°K available upon request.
- Safety** Instant on/off, no arc tube re-strike timeout
- Output** Up to 52,000 Lumens
- Lifespan** L70: 60,000 hours for SHO and 30,000 hours for MHO
- Warranty** 5-year warranty
- Certification** UL listed, LM-80 & LM-79 reports available
- Weight** 3.3lbs per lamp
- Environmental** Ambient Temperature: -20C to +55C (open fixtures only)
Relative Humidity: 15% to 85%, non-condensing



Specifications

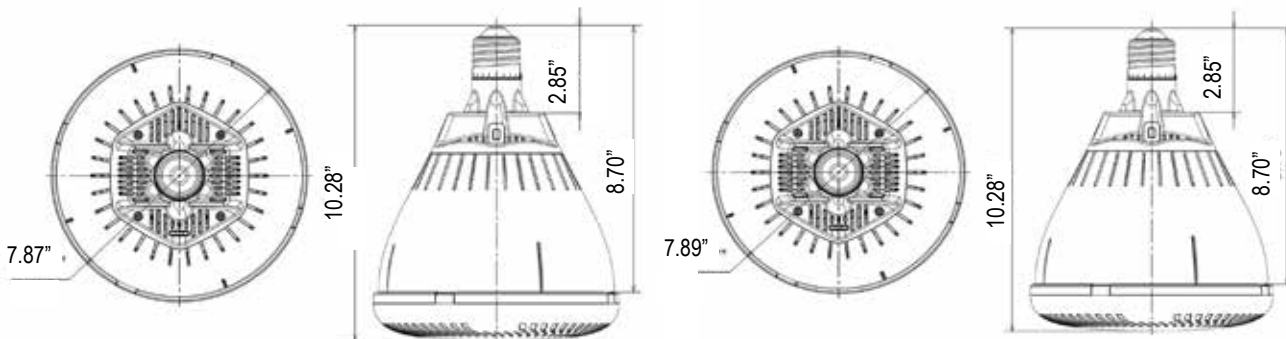
PART #	BALLAST USED	LUMENS	LAMP WATTAGE	EFFICIENCY
RS-1KWD-SHO-850	750W	39,500Lm	345W	114Lm/W
	1000W	45,000Lm	380W	118Lm/W
RS-1KWD-MHO-850	750W	47,000Lm	410W	114Lm/W
	1000W	52,000Lm	470W	112Lm/W

Ordering Information

Example: **RS-1KWD-SHO-850**

SERIES	TYPE	OUTPUT	CRI	CCT
RS – RS Series	1KWD – 1000W Metal Halide LED Retrofit	SHO – Super High Output MHO – Mega High Output	8 – >80	50 – 5000K

Product Dimensions



RS-1KWD-SHO-850

RS-1KWD-MHO-850