

GS/PS Series (400W MH Retrofit)

PATENT PENDING

DIRECT REPLACEMENT LED LAMP

Features

- Design** Proprietary Direct-Fit EZ Install LED technology for 400W, 350W, 320W, 250W and 175W Metal Halide Lamps SO, HO, VHO and VVHO models both upright/downlight and downlight only types. Specify upright for acrylic glass domes.
- Mounting** Direct screw in replacement for mogul sockets, uses existing MH magnetic ballast. For vertical mogul sockets, E39, EX39 and E40 lamp base. Compatible with pulse start and probe start Metal Halide ballasts. Designed for open fixtures only.
- Efficiency** Up to 115Lm/W. Saves 50% on energy costs over Metal Halide Lamps
- Color Temp.** 5000°K. 83 CRI minimum. 4000°K available upon request
- Safety** Instant on/off, no arc tube re-strike timeout
- Output** Up to 26,000 Lumens
- Lifespan** L70: 60,000 hours
- Warranty** 5-year warranty
- Certification** UL listed, LM-80 & LM-79 reports available
- Weight** PS Series: 1.95lbs per lamp, GS Series: 2.3lbs
- Environmental** Ambient Temperature: -20C to +55C (open fixtures only)
Relative Humidity: 15% to 85%, non-condensing



Downlight
PS-400D-SO/HO-850 shown

Uplight/Downlight
GS-400U-VHO shown



Specifications

BALLAST	400W			350W			320W			250W			175W		
	PART #	TOTAL LUMENS	LAMP WATTS	LM/WT	TOTAL LUMENS	LAMP WATTS	LM/WT	TOTAL LUMENS	LAMP WATTS	LM/WT	TOTAL LUMENS	LAMP WATTS	LM/WT	TOTAL LUMENS	LAMP WATTS
PS-400D-SO-850	17,000Lm	170W	100Lm/W	16,000Lm	150W	107Lm/W	14,500Lm	130W	112Lm/W	12,500Lm	105W	119Lm/W	9,000Lm	75W	120Lm/W
PS-400D-HO-850	21,000Lm	200W	105Lm/W	18,000Lm	180W	100Lm/W	17,000Lm	165W	103Lm/W	14,000Lm	130W	108Lm/W	9,800Lm	85W	115Lm/W
GS-400U-HO-850	21,000Lm*	205W	102Lm/W	18,000Lm*	170W	106Lm/W	17,000Lm*	160W	106Lm/W	15,000Lm*	125W	120Lm/W	9,800Lm*	85W	115Lm/W
GS-400U-VHO-850	24,000Lm*	210W	114Lm/W	21,000Lm*	180W	117Lm/W	20,000Lm*	170W	118Lm/W	17,000Lm*	130W	131Lm/W	11,000Lm*	90W	122Lm/W
GS-400D-VVHO-850	26,000Lm	230W	113Lm/W	23,400Lm	210W	111Lm/W	21,900Lm	190W	115Lm/W	n/a	n/a	n/a	n/a	n/a	n/a

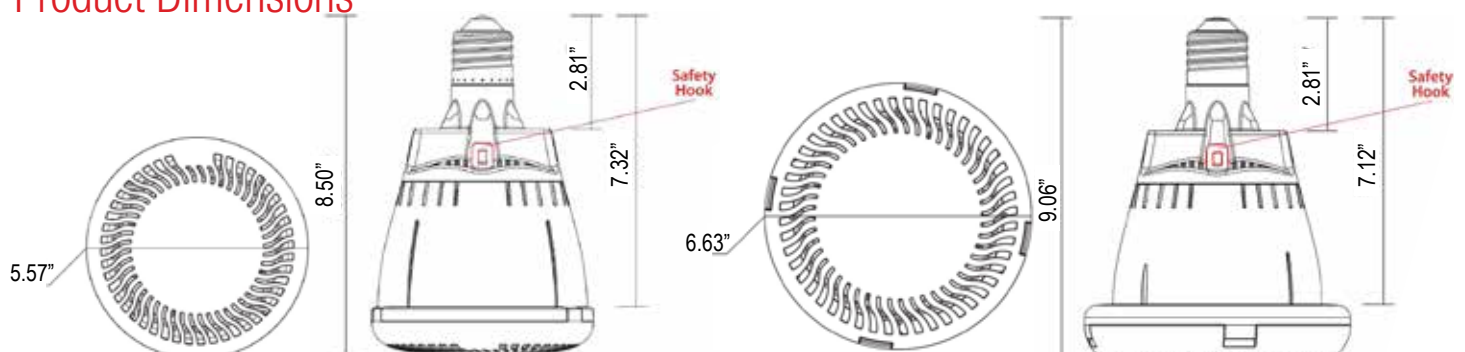
*Total lumens is 7% up-light, 93% down-light

Ordering Information

Example: PS-400D-HO-850

SERIES	TYPE	OUTPUT	CRI	CCT
PS – PS Series	400D – 400D Metal Halide LED Retrofit - all downlight	SO – Standard Output HO – High Output	8 – >80	50 – 5000°K
GS – GS Series	400U – 400U Metal Halide LED Retrofit - uplight/downlight	HO – High Output VHO – Very High Output	8 – >80	50 – 5000°K
GS – GS Series	400D – 400D Metal Halide LED Retrofit - all downlight	VVHO – Very Very High Output	8 – >80	50 – 5000°K

Product Dimensions



PS-400D-SO/HO-850

GS-400U-HO/VHO/VVHO