

Part Number	
Project Notes	

High-Bay/Low-Bay

HB series

Product Description:

The HB series High-Bay/Low Bay provides lumen packages from 18,000 to 27,000 lumens with illumination performance that will allow a one for one replacement of 250W & 400W HID and multi-lamp fluorescent high-bay/low bay fixtures. With extremely long rated lifetimes, zero restrike time, and light-weight die-cast construction, the HB series is a direct replacement for HID and fluorescent light sources and provides the added benefits of energy savings and reduced relamp maintenance costs.

Performance Summary:

Delivered Light Output:	up to 27,000 lumens
Input Power:	up to 230 watts
Power Source:	Electronic driver
CRI:	84
CCT:	5000K (+/- 300K)
Input Voltage:	120-277 VAC
Beam Spread:	95°
Limited Warranty:	5 Years
Mounting:	Hook, 18/3 SJO cord, plug by others
Weight:	10 lbs
Dimming:	1-10v Standard



Ordering Information:

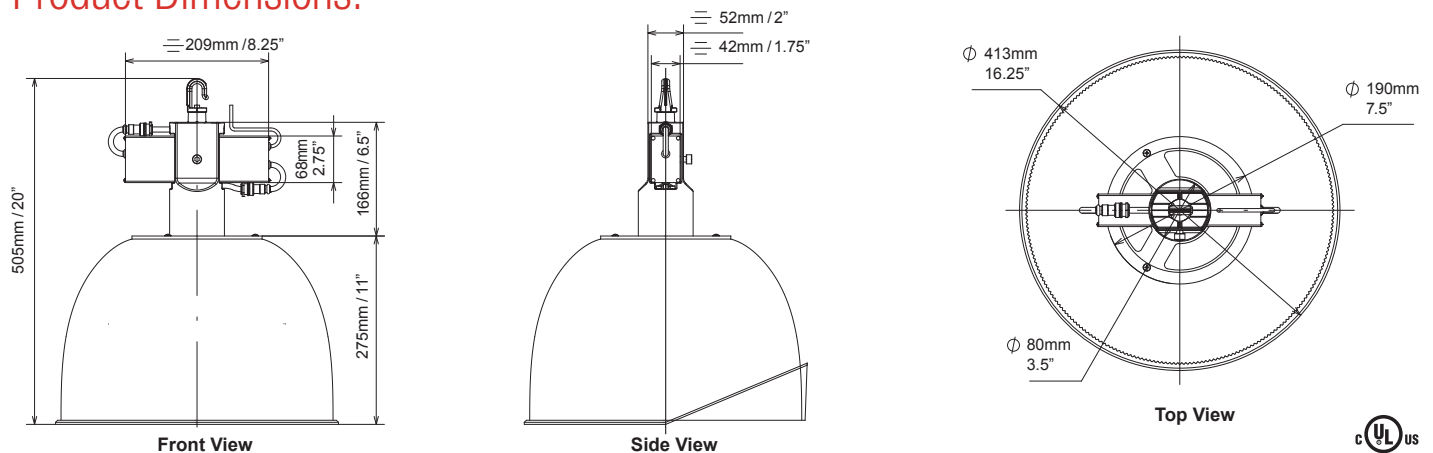
Typical: **HB1-54-24U-850-12-H-A-D**

HOUSING	TYPE OF CONSTRUCTION	LUMEN PACKAGE	CRI	KELVIN	INPUT VOLTAGE	MOUNTING	OPTIC	CONTROLS
HB-1	54	20U 24U 18D 22D 27D	8 = 84	50 = 5000K STD 40 = 4000K *	12 = 120-277	H	A = Acrylic AL = Aluminum	D

*4000K available upon request

LUMEN PACKAGE	UPLIGHT	DOWNLIGHT
20U = 20,000 lumens	✓	✓
24U = 24,000 lumens	✓	✓
18D = 18,000 lumens	-	✓
22D = 22,000 lumens	-	✓
27D = 27,000 lumens	-	✓

Product Dimensions:



We reserve the right to change or withdraw specifications without prior notice.

