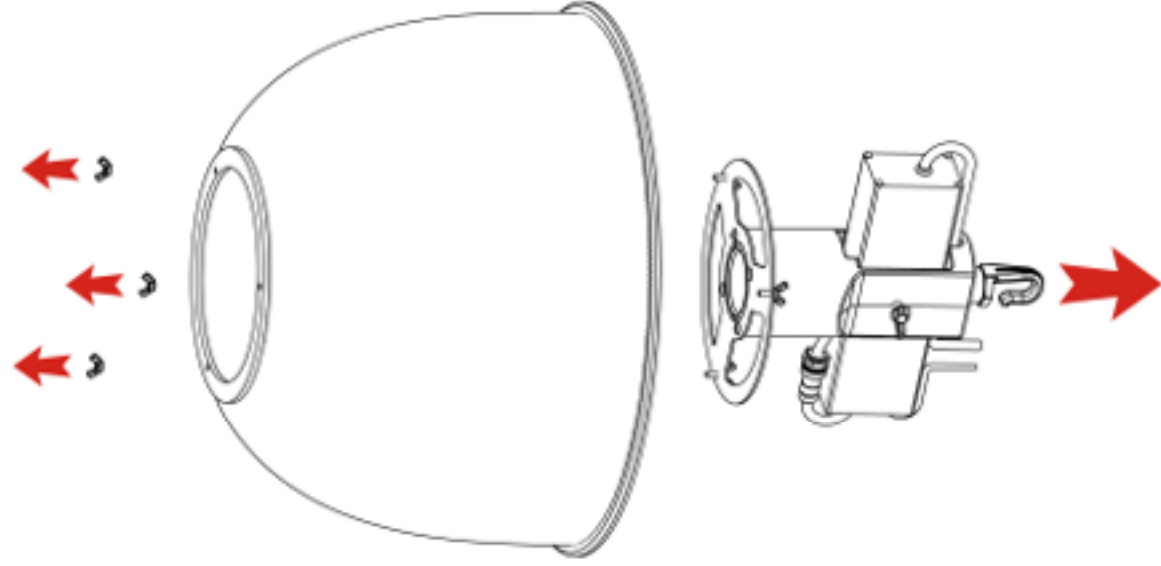
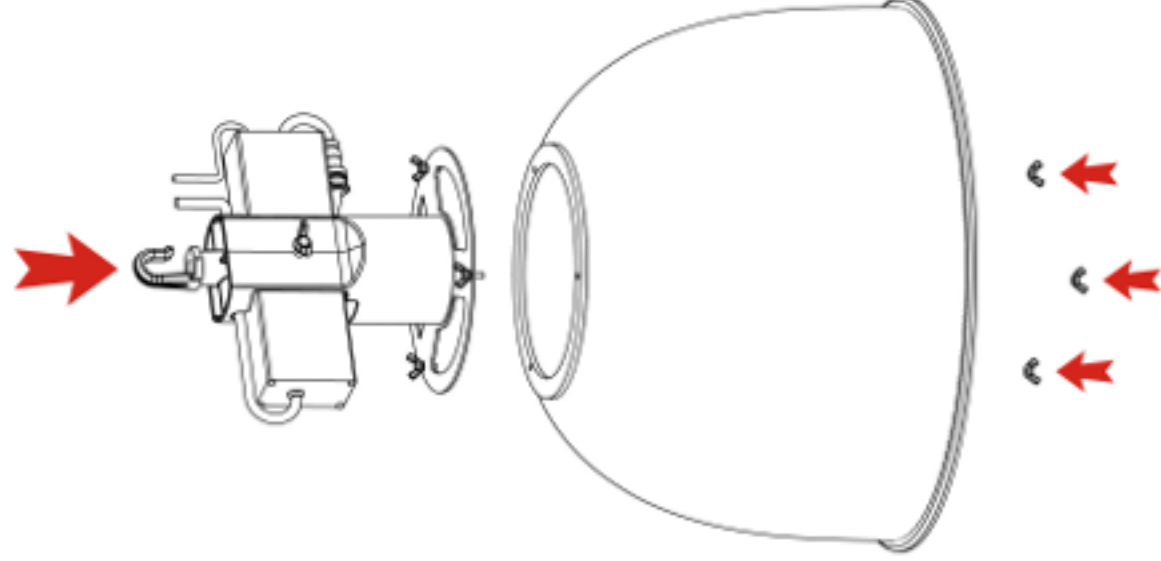


Assembly Instructions of Foreverlux HB series IP54 fixture

1. Unscrew the 3 M4 wingnuts and remove the metal sub-assembly from the inside of the lens;



2. Position the metal sub-assembly on top of the lens aligning the 3 holes in the sub-assembly with the 3 holes in the lens. Hand tighten with the 3 M4 wingnuts (do not over tighten) 3 M4 wingnuts snugly from the inside of the lens.



Foreverlamp Inc.

Address: 406 Amapola Ave. suite 100, Torrance, CA 90501, USA

Service Hotline: 1-844-533-8811

Service E-mail: Sales@foreverlamp.com

Website: www.foreverlamp.com

Assembled in China